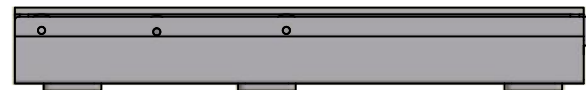
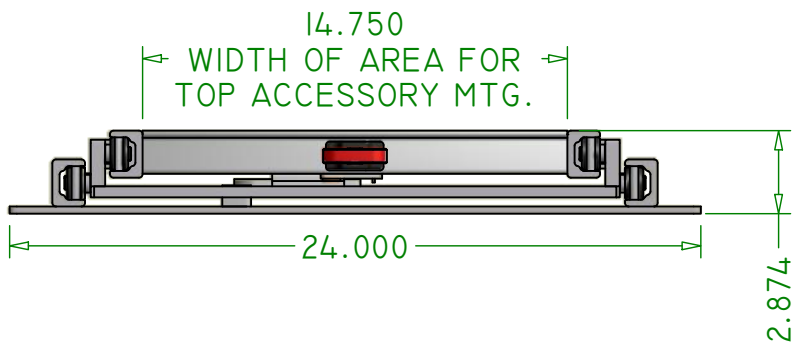
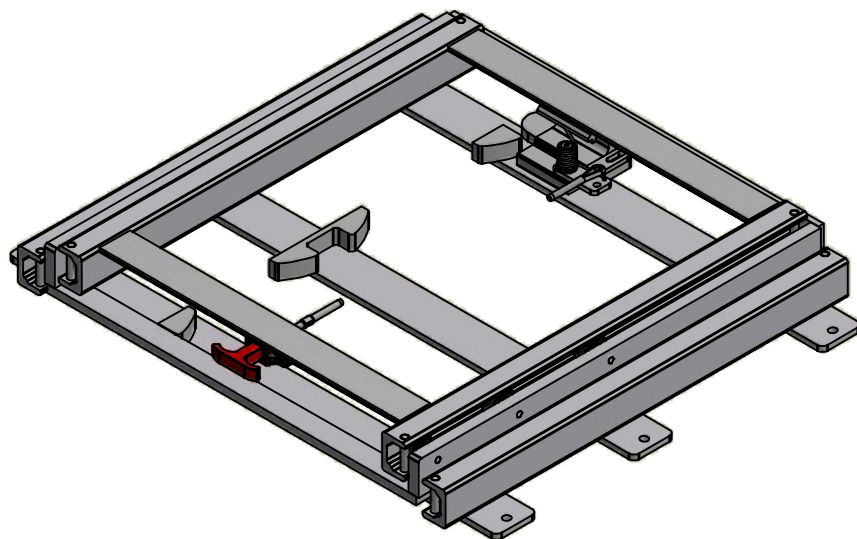
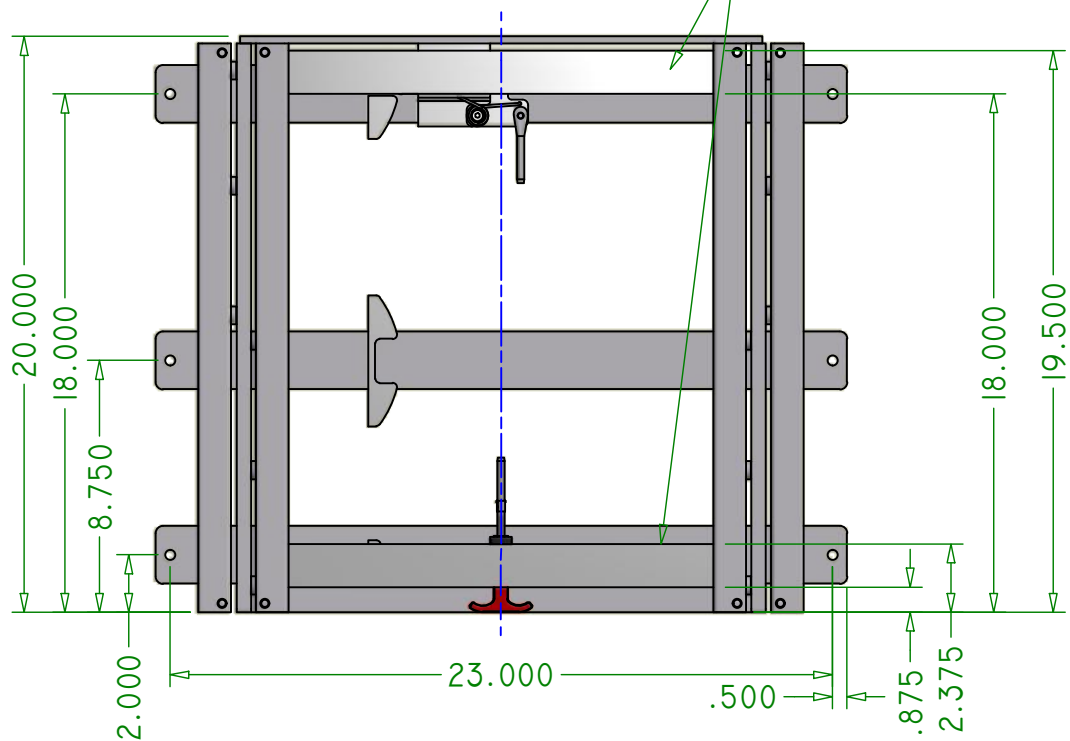


CROSSMEMBERS FOR MOUNTING TOP ACCESSORY TOO.



86320.IDW



DO NOT SCALE DRAWING  
BREAK ALL EDGES/CORNERS  
TOLERANCES: LINEAR ± .063  
ANGLE ± .5° HOLES +.015 - .000

DRAWN:  
SCG  
DATE:  
4/16/2014

PROJECT:  
86 SERIES SLIDE  
DRAWING NAME:  
MEDIUM DUTY SLIDE

DRAWING #

PAGE 1 OF 1

REV:

86320