
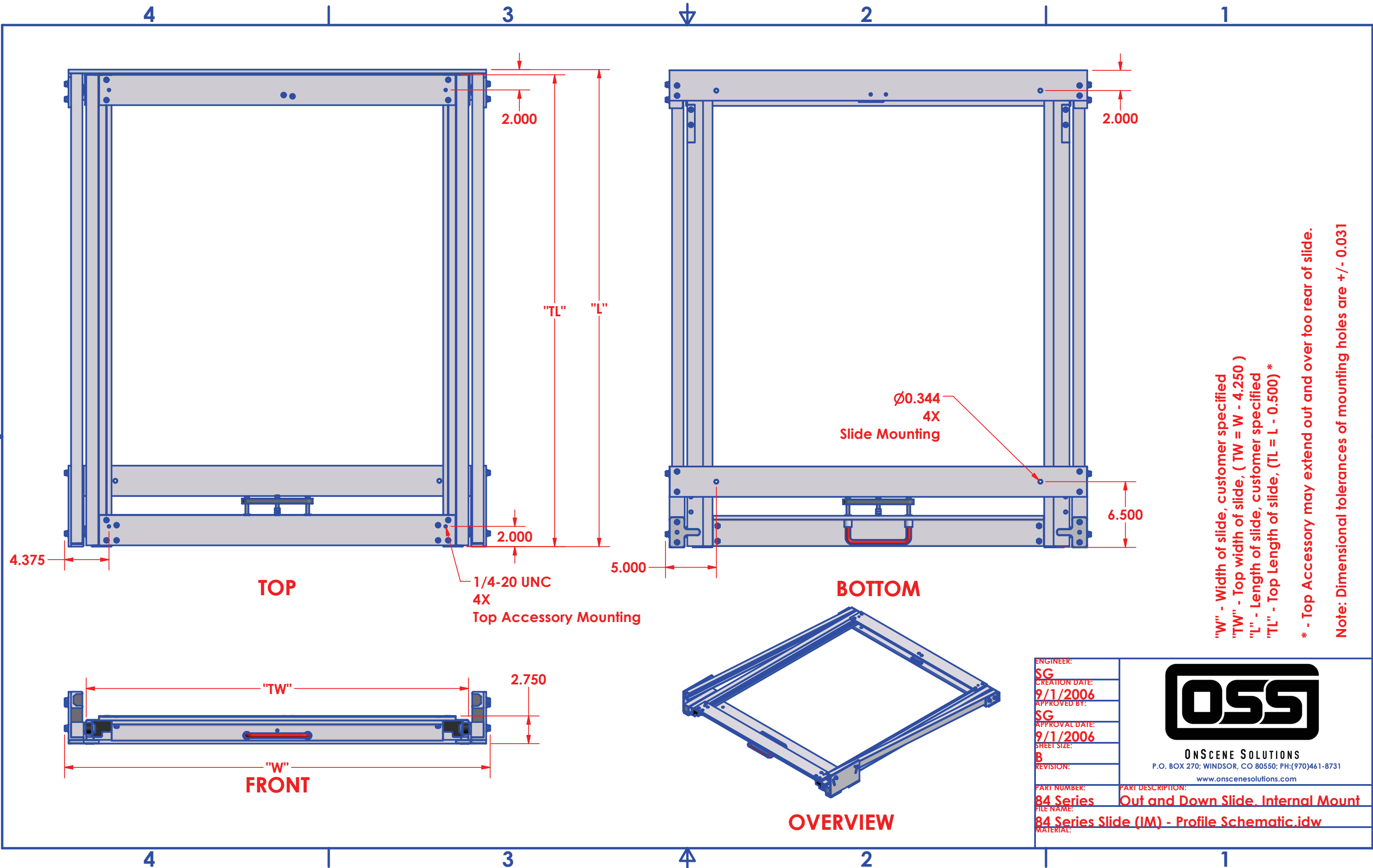



"W" - Width of slide, customer specified
 "TW" - Top width of slide, (TW = W - 5.500)
 "L" - Length of slide, customer specified
 "TL" - Top Length of slide, (TL = L - 0.500) *

* - Top Accessory may extend out and over too rear of slide.
 Note: Dimensional tolerances of mounting holes are +/- 0.031

| | |
|--|--|
| ENGINEER: SG |  ONSCENE SOLUTIONS P.O. BOX 270; WINDSOR, CO 80550; PH:(970)461-8731 www.onscenesolutions.com |
| CREATION DATE: 9/1/2006 | |
| APPROVED BY: SG | |
| APPROVAL DATE: 9/1/2006 | |
| SHEET SIZE: B | |
| REVISION: | |
| PART NUMBER: 84 Series | PART DESCRIPTION: Out and Down Slide, External Mount |
| FILE NAME: 84 Series Slide (EMF) - Profile Schematic.idw | |
| MATERIAL: | |



"W" - Width of slide, customer specified
 "TW" - Top width of slide, (TW = W - 4.250)
 "L" - Length of slide, customer specified
 "TL" - Top Length of slide, (TL = L - 0.500) *
 * - Top Accessory may extend out and over too rear of slide.
 Note: Dimensional tolerances of mounting holes are +/- 0.031

| | |
|---|--|
| ENGINEER: SG |  ONSCENE SOLUTIONS P.O. BOX 270; WINDSOR, CO 80550; PH:(970)461-8731 www.onscenesolutions.com |
| CREATION DATE: 9/1/2006 | |
| APPROVED BY: SG | |
| APPROVAL DATE: 9/1/2006 | |
| SHEET SIZE: B | |
| REVISION: | |
| PART NUMBER: 84 Series | PART DESCRIPTION: Out and Down Slide, Internal Mount |
| FILE NAME: 84 Series Slide (IM) - Profile Schematic.idw | |
| MATERIAL: | |