

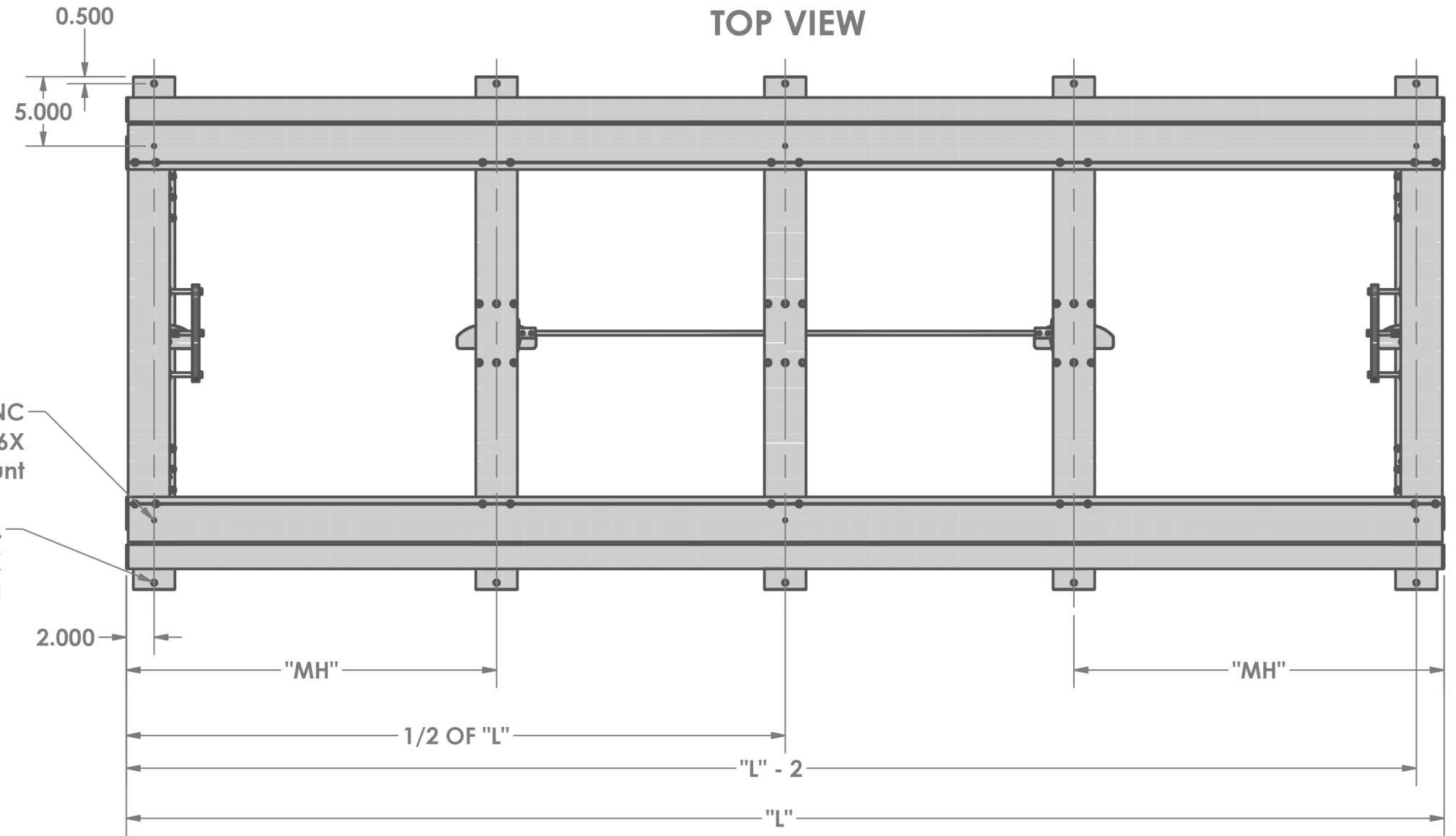
4

3

2

1

TOP VIEW



B

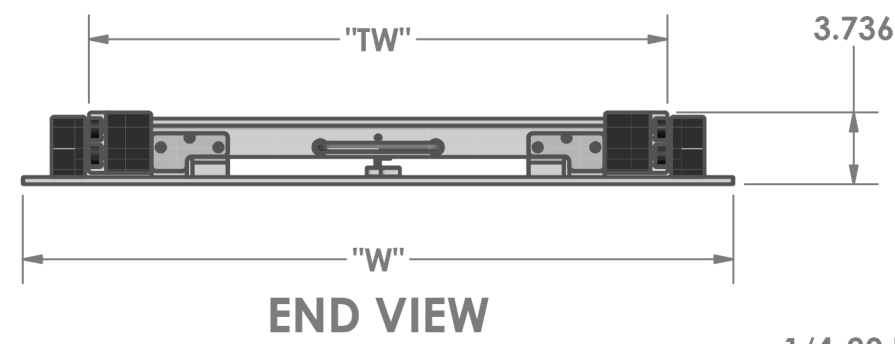
B

A

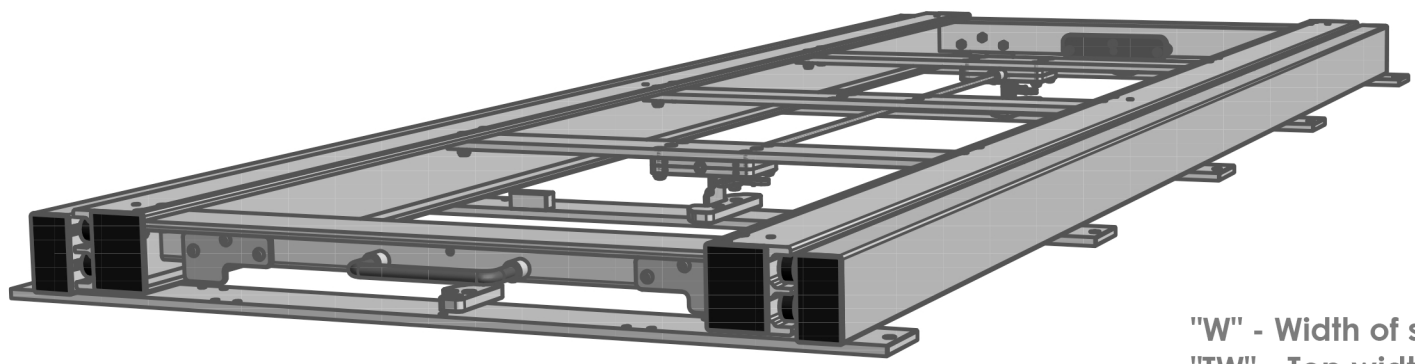
A

A

A




OVER VIEW



"W" - Width of slide, customer specified
 "TW" - Top width of slide, (TW = W - 6.875)
 "L" - Length of slide, customer specified
 "MH" = "L" - 0.250" x 0.3 - 1.750" (EX. 95.000 - 0.250 x 0.3 - 1.750 = 26.675")

Note: Dimensional tolerances of mounting holes are +/- 0.031

ENGINEER: SG	 ONSCENE SOLUTIONS P.O. BOX 270; WINDSOR, CO 80550; PH:(970)461-8731 www.onscenesolutions.com
CREATION DATE: 7/31/2006	
APPROVED BY: CH	
APPROVAL DATE: 8/4/2006	
SHEET SIZE: B	
REVISION:	
PART NUMBER: 83 Series	PART DESCRIPTION: 70% Ext., Dual Direction, 2 Rail Slide
FILE NAME: 83 Series Slide - Profile Schematic.idw	
MATERIAL:	

4

3

4

2

1