



P.O. Box 270
Windsor, CO 80550
(970)461-8731

www.onscenesolutions.com

Recommended Installation Guide

For The "Night Stik" LED Light

By On Scene Solutions

Materials included

1. One "Night Stik", 9" (70001), 18" (70006), 27" (70016), 36" (70011), or 54" (70031) light
2. One 36" bare end pig tail and/or specified jumper connector
3. Required mounting clips
4. Required 8-32 x 3/8 or 5/8 button, hex machine screws w/ nylon locking patch
5. Required 8-32 offset track nuts
6. One copy of the warranty certificate

Materials not included but recommended

1. 12 volt fuse, 5 amp max recommended, for each light or light circuit containing up to 20 - 18" lights or 360" of continuous lighting length and maximum of 15' of 18 ga wire.
2. 18-22 ga Butt connector(s) or similar wire splicing devices.
3. Convoluted wire loom
4. Wire grommets
5. Plastic or similar isolation fastener insert (if mounting to exterior of body, fabricated from a material other than plastic or stainless steel)

Tools/Equipment Required

1. Appropriate safety equipment
2. #29 or 1/8" drill bit, if using supplied hardware (without nut)
3. 8-32 tap, if using supplied hardware (without nut)
4. 3/32" Allen wrench, if using supplied hardware
5. Tape measure
6. Drill
7. Wire stripper and crimpers

General installation recommendations

1. The "Night Stik" is an electrical device and should be wired to a fused circuit for proper protection.
2. Insure a secure and proper ground connection for the light.
3. Mount the light in a location that will provide the best lighting angle and provide protection for the light tube.
4. The provided mounting clips should be positioned directly around the clear tubing just below the black end cap if possible, on the 9" and 18" models. (Fig. 1a) On the 27", 36" and 54" models, position 2 mounting clips as mentioned above and one clip at each printed circuit board bridge connector. (Fig. 1b) Refer to the following table and image for recommended mounting clip location and mounting hole center to center dimensions. (Table 1 & Fig. 1c)

DO NOT SNAP DIRECTLY OVER THE BLACK END CAP OR THE MOUNTING CLIP MAY BREAK!

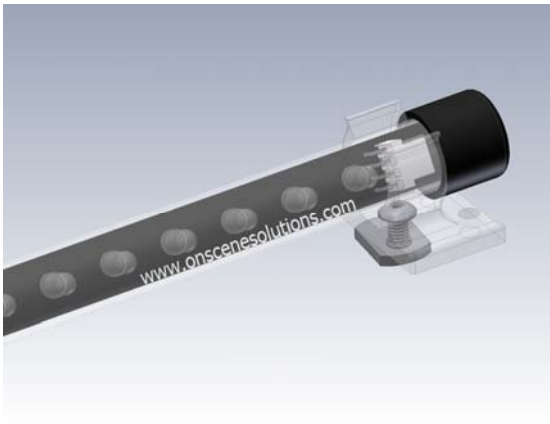


Fig. 1a



Fig. 1b

Model Description	Recommended Qty of Mounts	Dimension (Inches)					
		A	B	C	D	E	F
9" Assembly	2	8	N/A	N/A	N/A	N/A	7 1/2
18" Assembly	2	17 5/8	N/A	N/A	N/A	N/A	17 1/8
27" Assembly	3	25 1/4	16 3/4	7	17 1/4	7 1/2	24 3/4
36" Assembly	3	35	16 3/4	16 3/4	17 1/4	17 1/4	34 1/2
54" Assembly	4	52 3/8	*16 3/4	*16 3/4	*17 1/4	*17 1/4	51 7/8

Table 1

*Dimensions are from each end of light, there will be a third dimension as there should be four mounting clips installed.

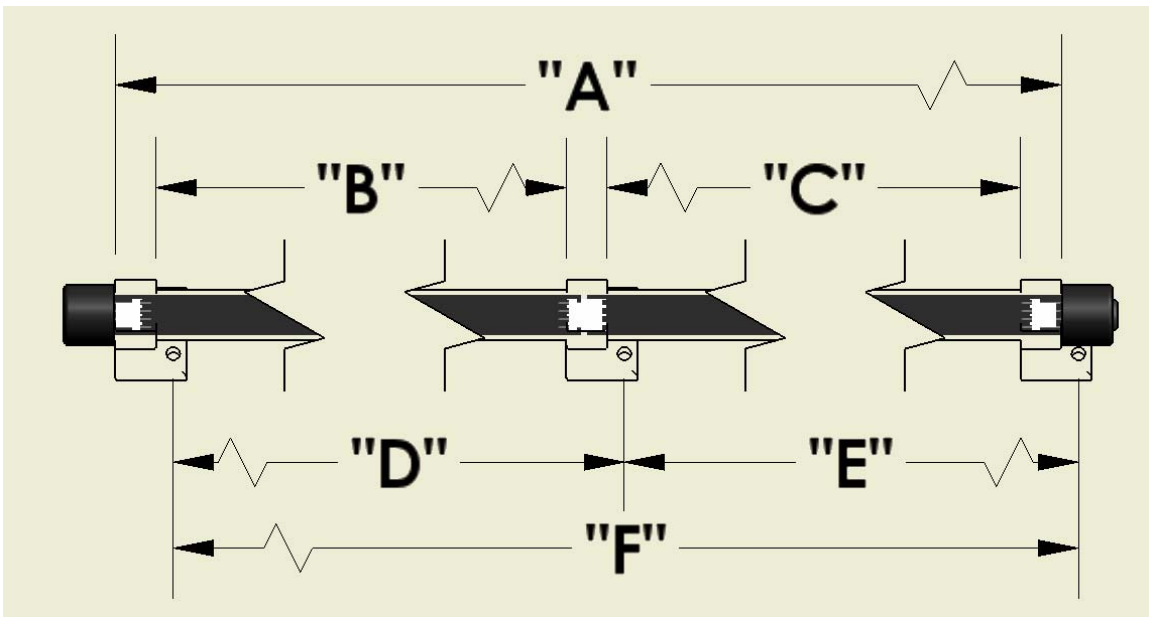


Fig. 1c

Note: The mounting clip is designed with an offset bolt pattern for various applications. Make sure that the clips are facing the same direction when mounted. (Fig. 1d)

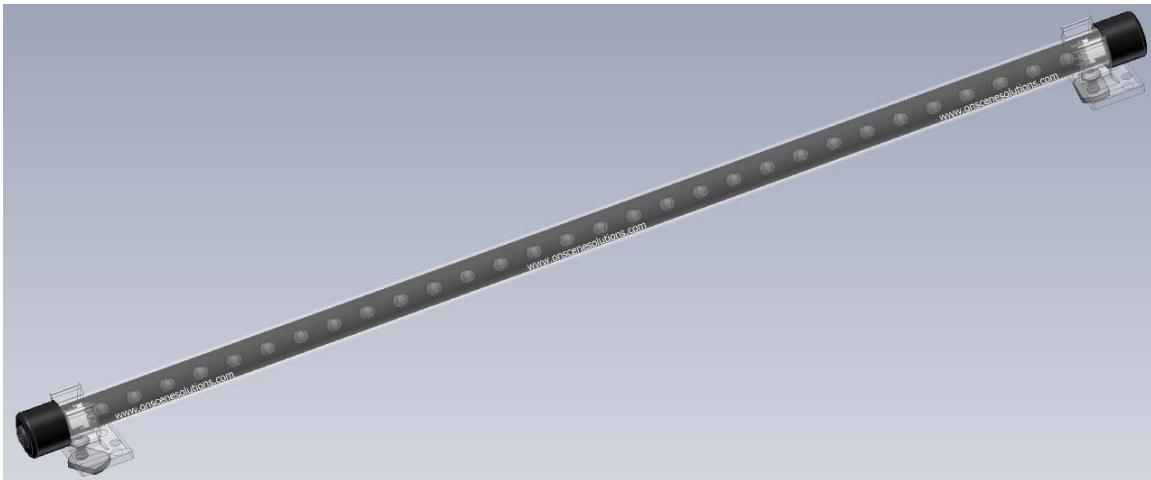


Fig. 1d

Compartment Installations

When the lighting is to be mounted to roll up door tracks, i.e. (ROM Corp. integrated light track or POK, etc.), install the mounting clip using the supplied screws (8-32 x 3/8) and nut (8-32 offset track) located in one of the two outer mounting holes (ROM Track) or in the center hole (POK Track). When installing into a ROM door track, the installer may determine which of the two outer holes to use according to the amount of offset desired. (Fig. 2a & 2b)

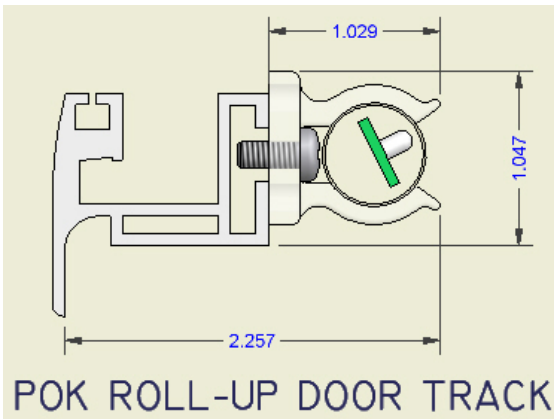


Fig. 2a

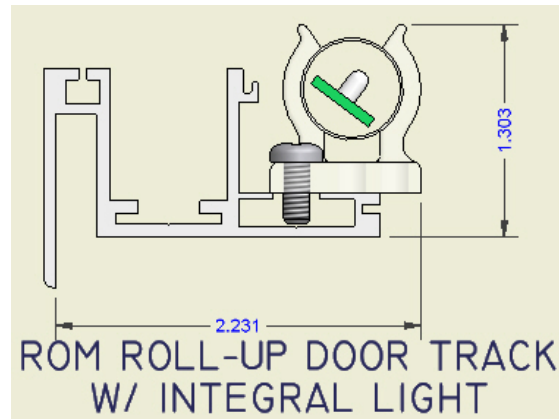


Fig. 2b

-OR-

If the light is to be mounted independently of roll-up door tracks or in a compartment without rollup doors, determine the best location and install the clip using supplied screws (8-32 x 3/8). Mounting holes will need to be drilled with a #29 or 1/8" drill bit and tapped using a 8-32 tap. (If installer intends to use supplied hardware) The installer may determine which of the three mounting holes works best for his/her application. (Fig. 2c) **Mounting clip must be mounted on a flat uniform surface.**

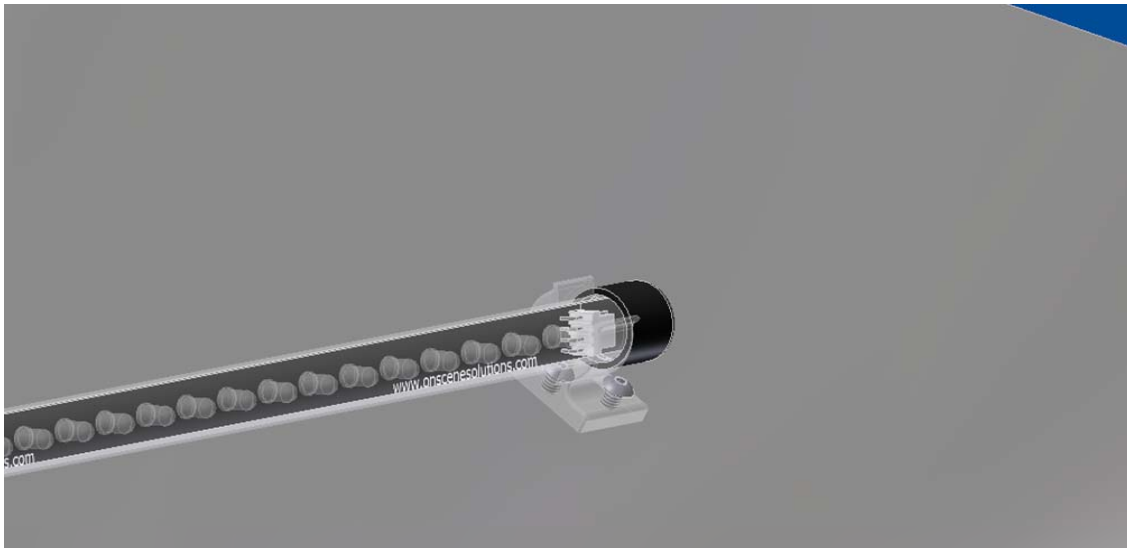


Fig. 2c

Underbody/Ground Lighting Installations

When the lighting is to be mounted for use as underbody or ground lighting, with the use of On Scene Solutions' "Rub Rail" system, should be installed using the supplied clip's center mounting hole. Use the supplied hardware (8-32 x 5/8 screw and 8-32 offset track nut) to mount clips to the mounting channel in the bottom side of the "Rub Rail". Mount light/bracket assembly to the body with the supplied hardware in the "Rub Rail" kit and per On Scene Solutions' "Rub Rail" recommended installation guide. (Fig. 3)

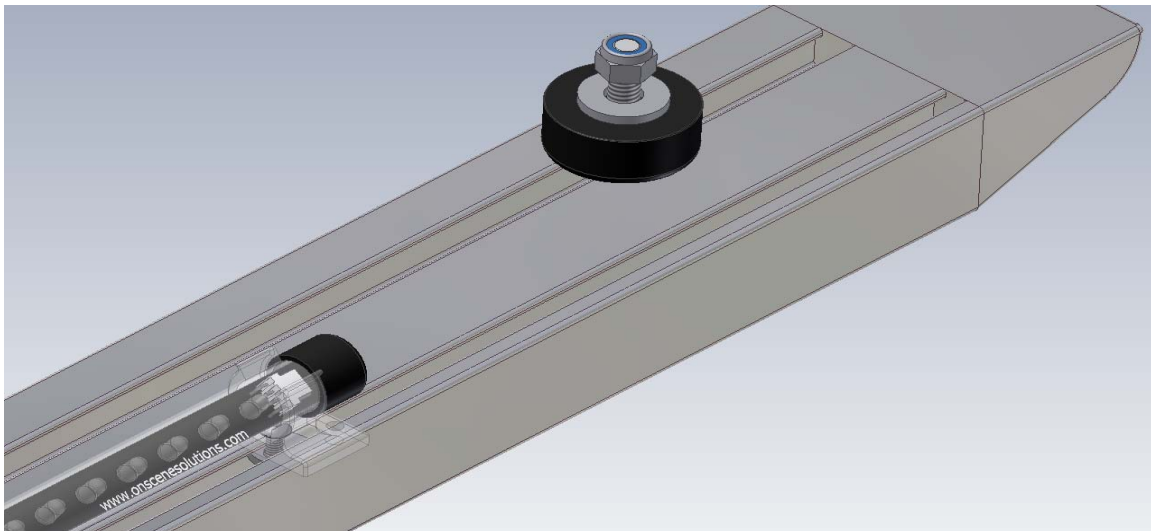


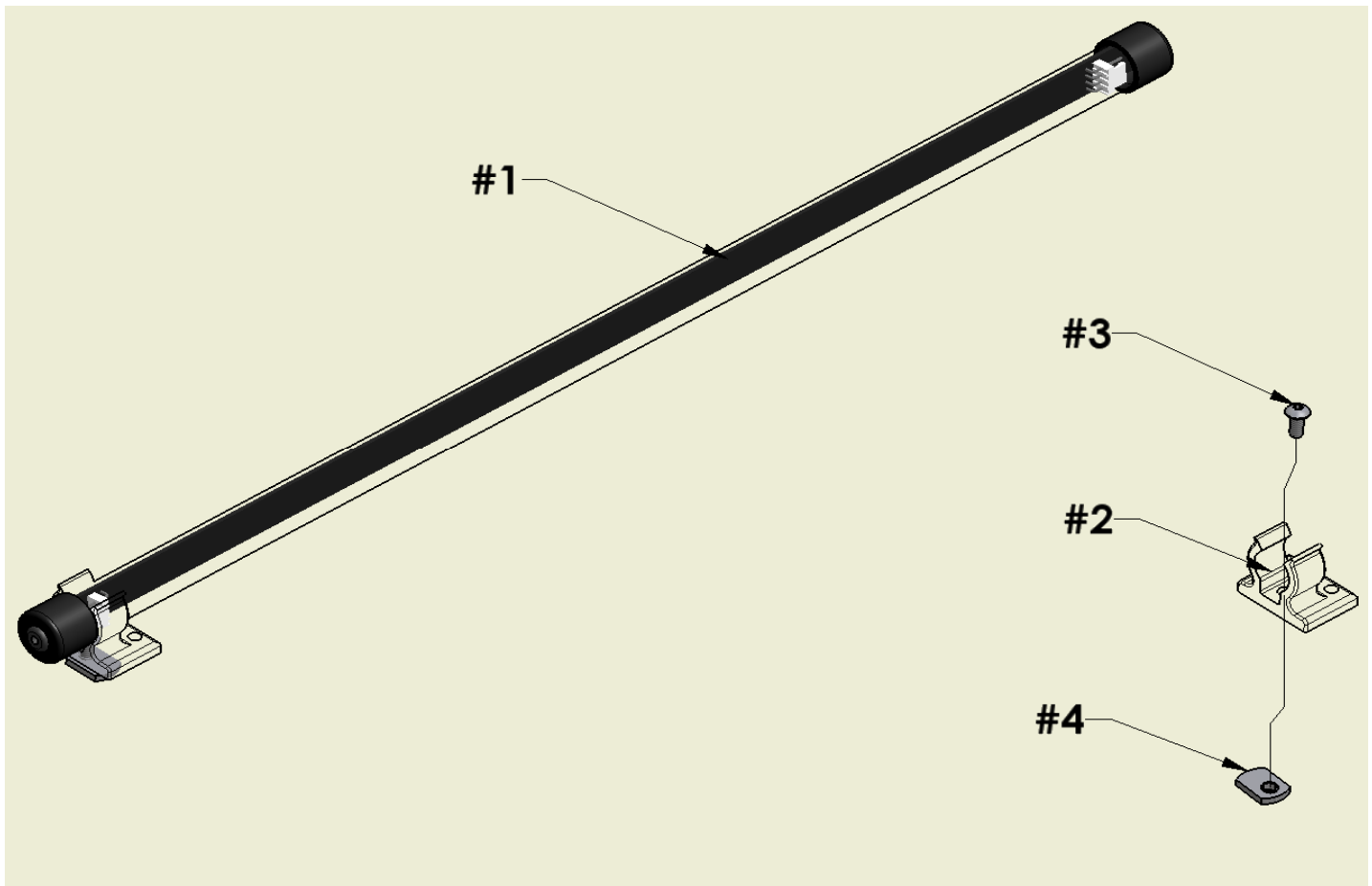
Fig. 3

-OR-

If a light is to be mounted as to provide for underbody or ground lighting without the use of the On Scene Solutions' "Rub Rail" system, install the light clip using the supplied hardware or installer supplied hardware. It is recommended that in this application the light be mounted as close to the underside of the body and as high as possible, to protect the light from road debris. The installer may determine which of the three mounting holes works best for his/her application. This would be similar to mounting in a compartment without a roll-up door. (Fig. 2c) **Mounting clip must be mounted on a flat uniform surface.**

Assembly Breakdown

Find #	Part #	Description	Quantity Included
1	70001 *	LED Tube Light, 9", "Night Stik"	1
1	70006 *	LED Tube Light, 18", "Night Stik"	1
1	70016 *	LED Tube Light, 27", "Night Stik"	1
1	70011 *	LED Tube Light, 36", "Night Stik"	1
1	70031 *	LED Tube Light, 54", "Night Stik"	1
2	70022	Clip, Mounting	2 - 9 & 18", 3 - 27 & 36", 4 - 54"
3	70023	Bolt, 8-32 x 3/8, Button Head	2 - 9 & 18", 3 - 27 & 36", 4 - 54"
3 **	70026	Bolt, 8-32 x 5/8, Button Head	2 - 9 & 18", 3 - 27 & 36", 4 - 54"
4	70024	Nut, 8-32, Track	2 - 9 & 18", 3 - 27 & 36", 4 - 54"



* = Specify part number ending with "RR" suffix, when installing on On Scene Solutions Rub Rail(s). Ex.: 70001RR

** = Only supplied when ordering light(s) with an "RR" suffix.

On Scene Solutions

“Night Stik”

LED Lighting Warranty

On Scene Solutions LLC warrants products of its manufacture against defects in materials and workmanship for a period of 5 years from the date of purchase. This warranty coverage is valid only if the product has been installed and used in accordance with the manufacturers recommended installation.

During the duration of the warranty period, coverage is extended to the first purchaser, in the event of a direct purchase from On Scene Solutions. In the event the product is purchased by an OEM manufacturer of vehicles or an On Scene Solutions approved dealer/distributor with intent to re-sell, the warranty may be extended to the first “end” purchaser of said product.

During the warranty coverage period, any product that falls within the warranty coverage guidelines, will be replaced in its entirety, by an On Scene Solutions warranty center, or an authorized dealer/agent of On Scene Solutions. The defective product must be returned complete (all components) including PCB, connectors, tubing and caps with a complete description of the failure, to be considered for warranty coverage.

This warranty is not applicable to any On Scene Solutions LED product that has failed due to abuse, misuse, improper installation, excessive voltages or alterations to the product that affects, in the manufacturer’s judgment, intended use and service.

On Scene Solutions will not be held liable for any incidental or consequential damages, and assumes no responsibility or liability for expenses incurred in the removal and or re-installation of products requiring service and or repair. On Scene Solutions will not be responsible for the packaging, handling and shipping of products to the warranty repair center or authorized warranty agent/dealer. On Scene Solutions will cover all costs of return postage to warranty covered customers.

There are no warranties, expressed or implied, including, but not limited to, any implied merchantability or fitness for a particular use. On Scene Solutions reserves the right to modify this warranty statement at any time; or discontinue, modify or upgrade any products of its manufacture with design improvements without prior notice.

This warranty gives you specific rights, and you may also have other rights which vary from state to state.

Warranty Return Procedures

- 1) On Scene Solutions products are to be returned freight prepaid to On Scene Solutions, 231 N. Chimney Park Dr., Windsor, CO 80550 or an authorized On Scene Solutions distributor.
- 2) A copy of the sales receipt must accompany the returned product to qualify for coverage.
- 3) Include the complete product with a description of the problem.
- 4) Include all contact information (i.e. Name, address, day and evening phone and email address).
- 5) On Scene Solutions will return all replacement units via Fed Ex (no cost to the customer) usually within one week of verifying coverage.